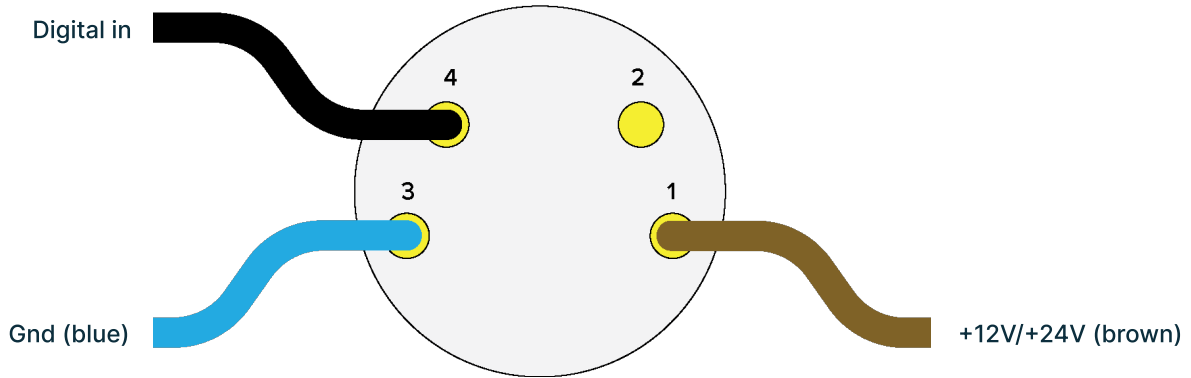
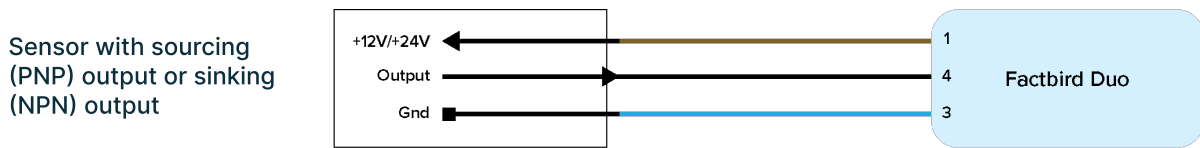


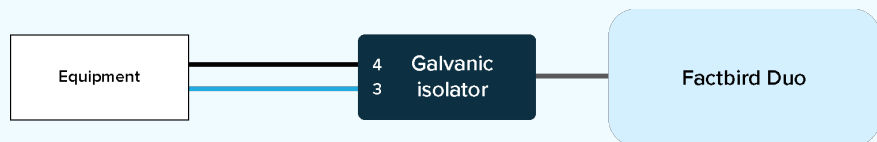
Connecting digital inputs to a Factbird Duo



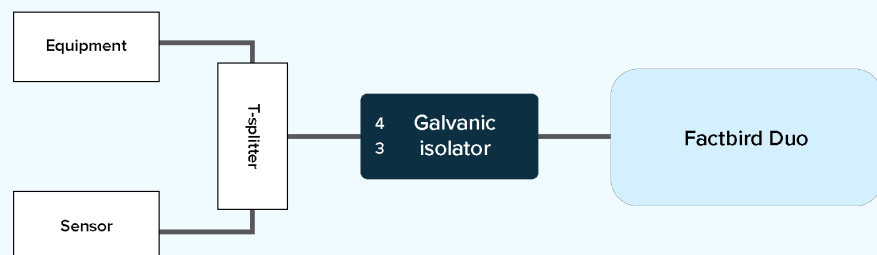
M8 connector as seen from outside Factbird



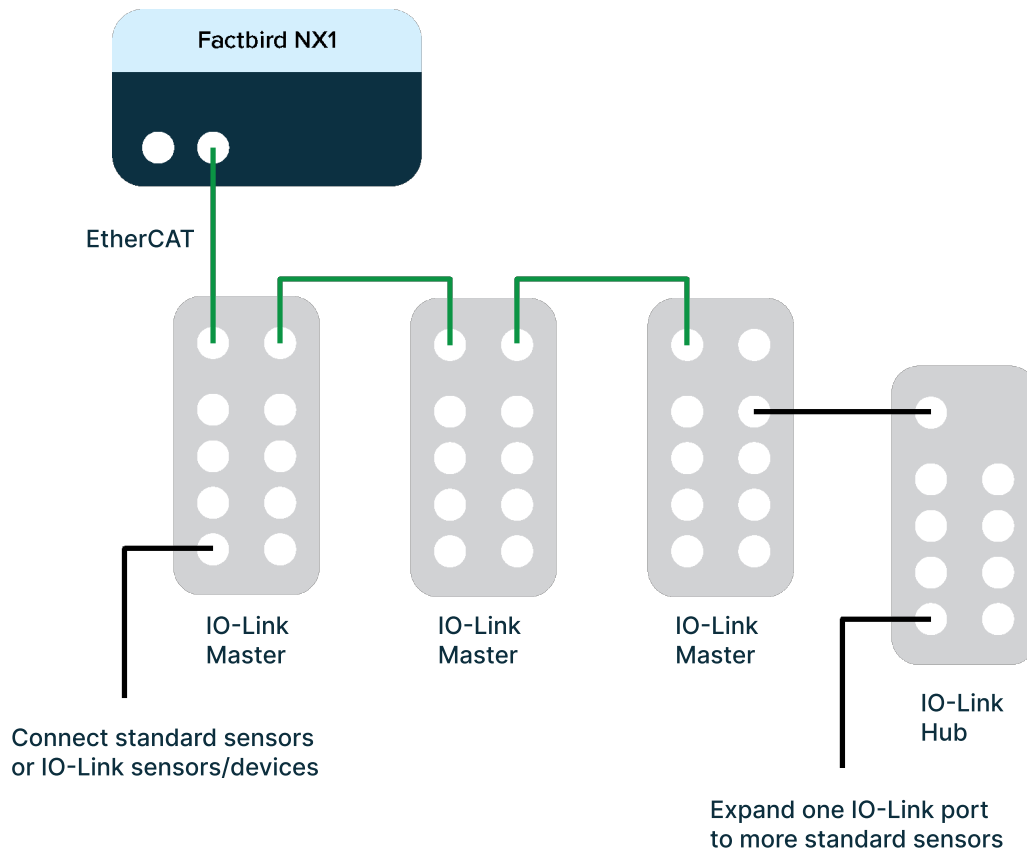
Copying existing signal.
Galvanically isolated



Copying signal using
M8/M12 connectors.
Galvanically isolated



Connecting signals to Factbird NX1



Connecting signals to Factbird NX1

Example of use

