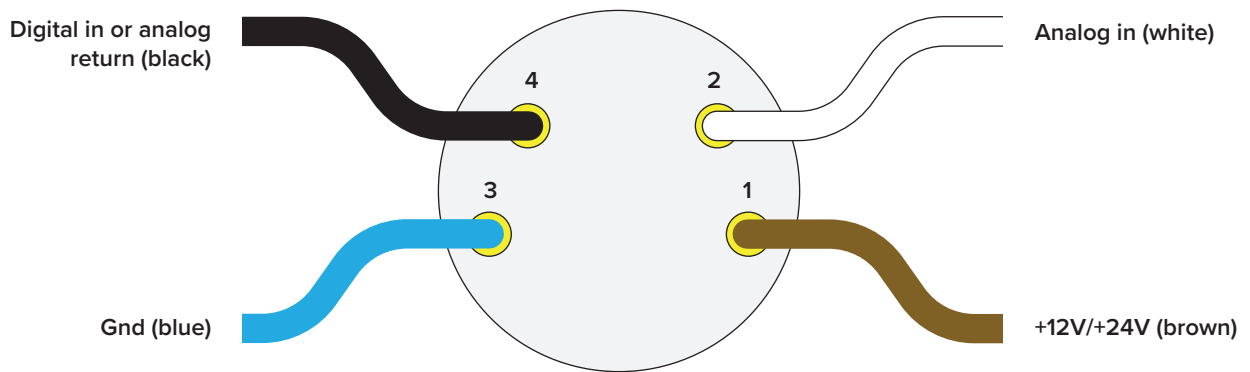


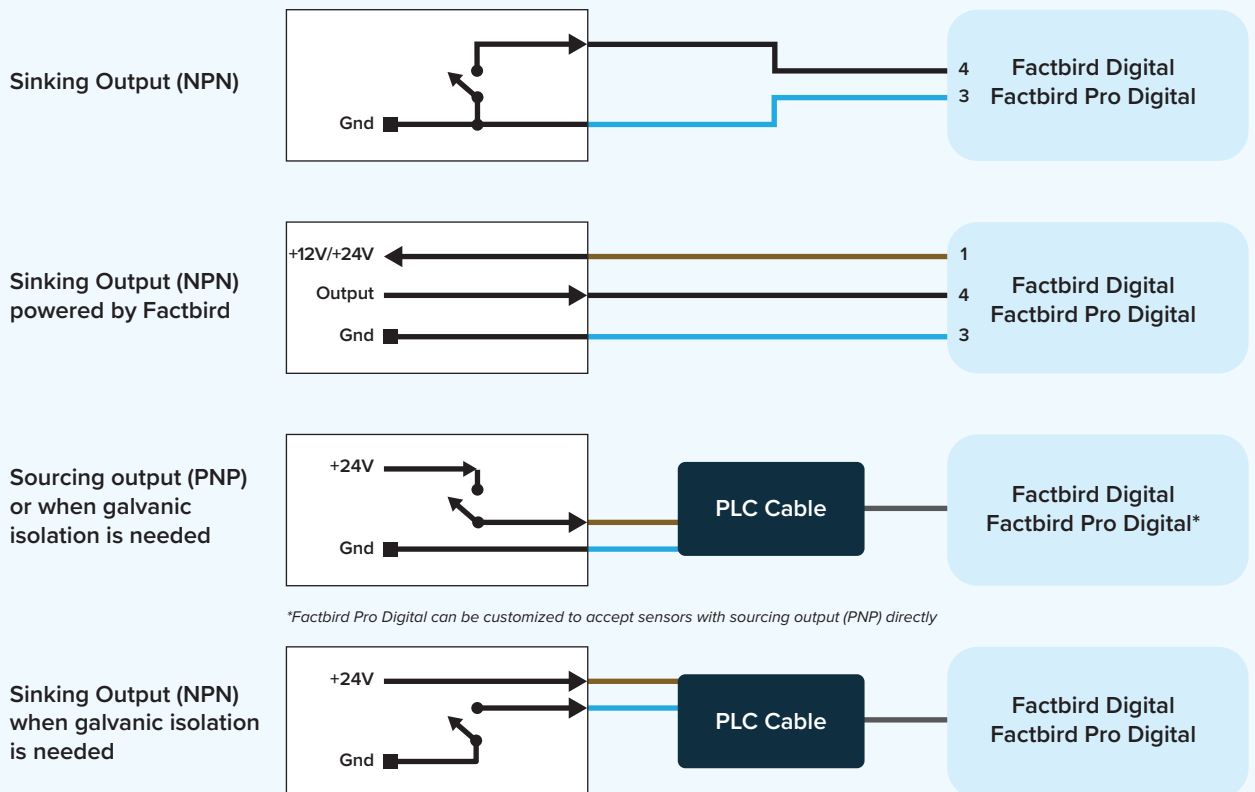


## Connecting inputs to a Factbird

M8 connector as seen from outside Factbird



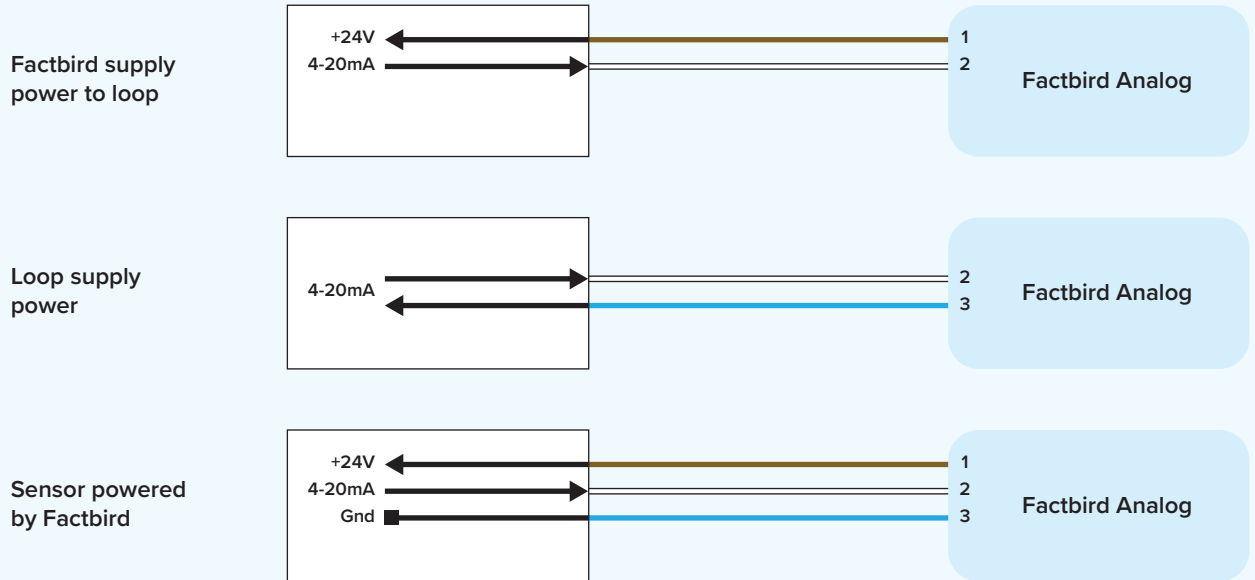
Factbird Digital



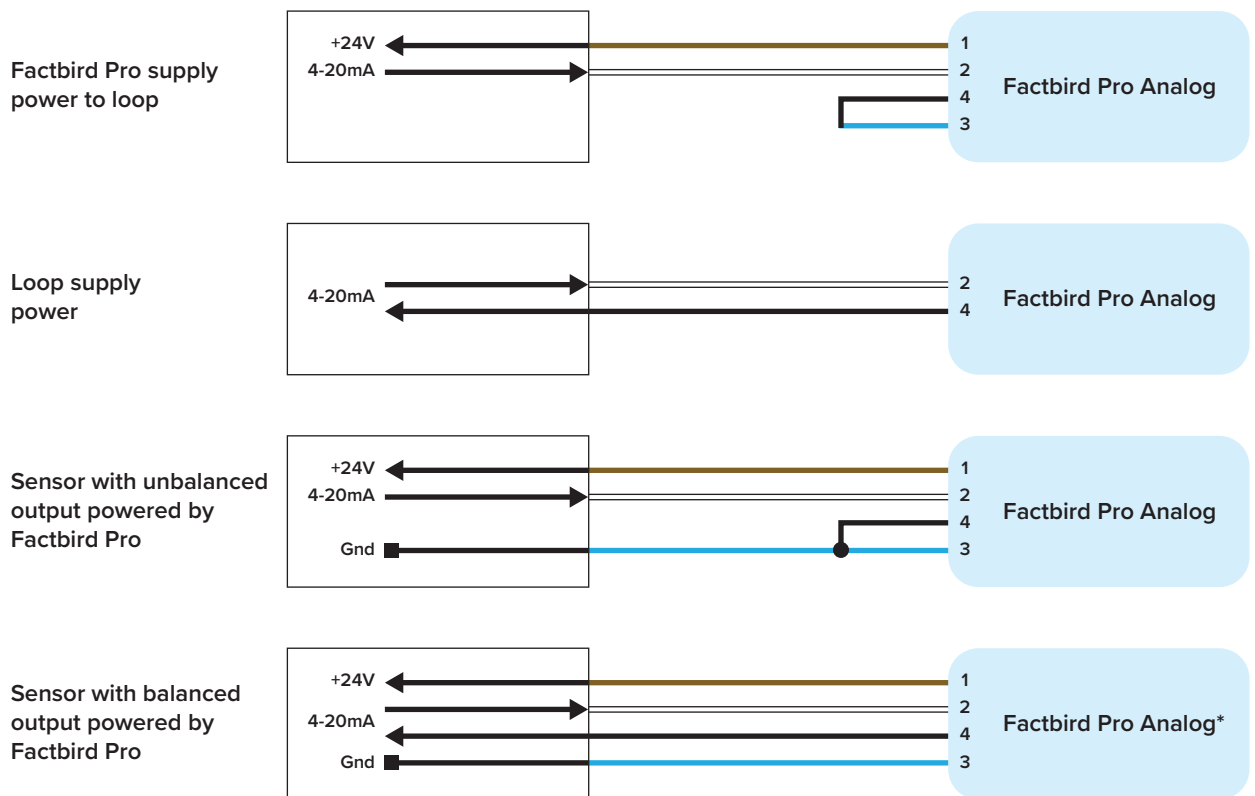
\*Factbird Pro Digital can be customized to accept sensors with sourcing output (PNP) directly



**Factbird Analog**



**Factbird Pro Analog**



*\*Factbird Pro Analog can be customized to accept sensors with e.g. 0-10V output*

**Isolator**

